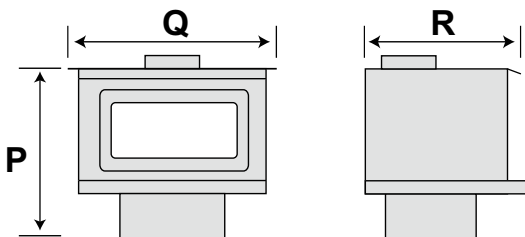


Dimension 'C' is taken from door seal lip (fire box) to the front of the floor protector. All dimensions are in millimetres. All dimensions are set as a minimum guide only.



**SS200 minimum clearance requirements to combustibles with Logaire 1200mm double skin flue shield**

A	B	C	D	E	F	G	H	J	K	L	M	N	P	Q	R
150	250	300	114	150	298	550	467	828	848	1209	996	550	648	600	425

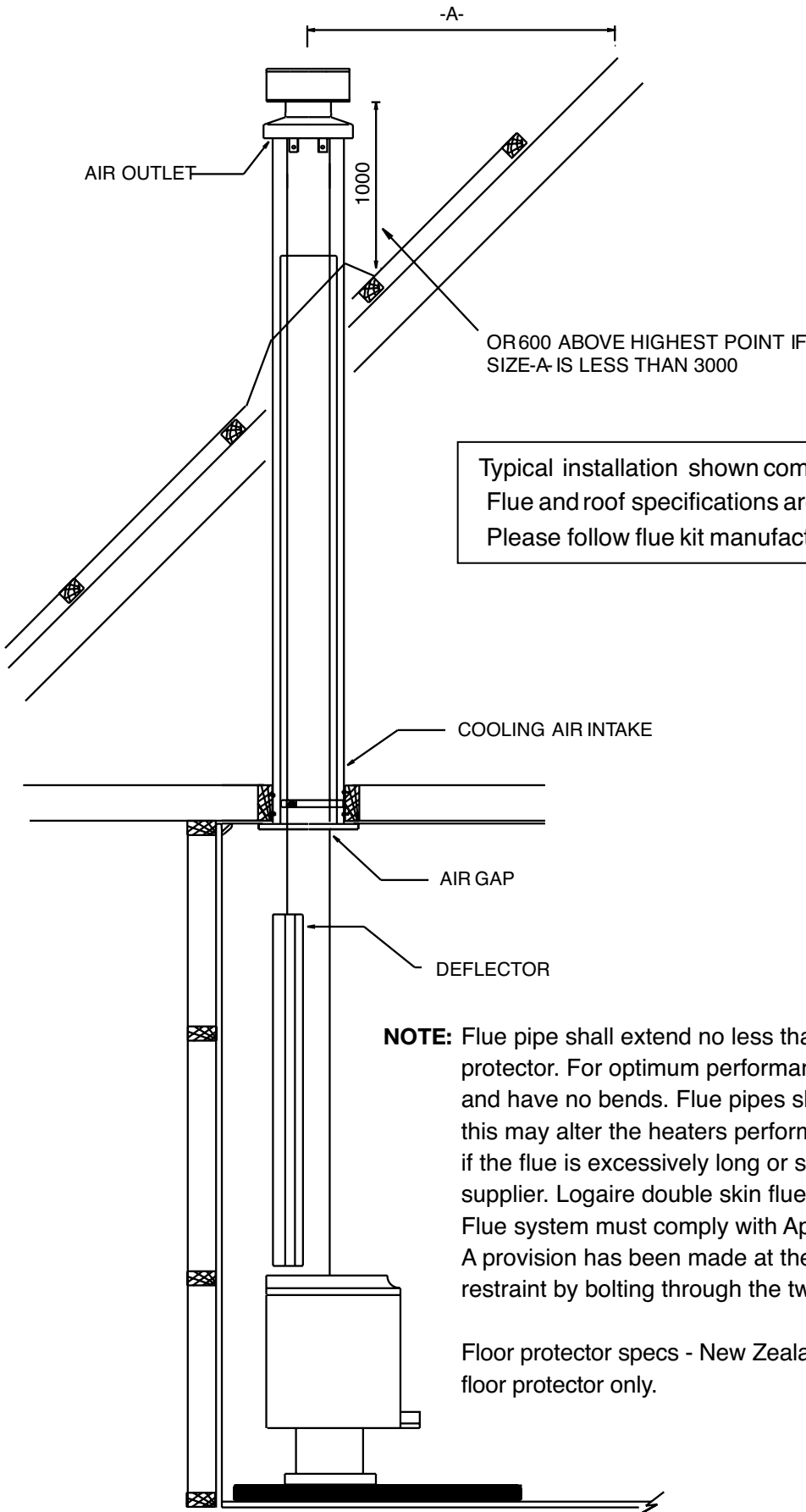
WITHOUT FLUE SHIELD A = 350, B = 300, E = 200

Estimated Peak Output (kW)	Water Heating Option	Floor Protector	Emissions	Efficiency
14	No	Non Insulated	.95g/kg	65.8%

IF INSTALLED IN ACCORDANCE WITH THESE SPECIFICATIONS THE HEATER COMPLIES WITH AS/NZS 2918:2001 including Appendix F. The minimum clearance to combustibles may be reduced if the combustibles walls are shielded with an approved non-combustible material. Details of suitable shielding materials and appropriate clearance reduction factors are present in Section 3 of AS/NZS 2918:2001

Clean Air Authorisation # N0023

RETAIL LINKS LTD RESERVE THE RIGHT TO CHANGE SPECIFICATIONS OR DESIGNS WITHOUT PRIOR NOTICE.



Typical installation shown complies with AS/NZS 2918:2001  
Flue and roof specifications are recommendations only.  
Please follow flue kit manufacturers installation instructions.

**NOTE:** Flue pipe shall extend no less than 4600mm above the top of the floor protector. For optimum performance the flue system should be vertical and have no bends. Flue pipes should be Ø150mm (Ø6"). Deviation from this may alter the heaters performance and may nullify the Jayline warranty if the flue is excessively long or short, if in doubt contact your Jayline supplier. Logaire double skin flue shield tested on this unit. Flue system must comply with Appendix F of AS/NZS 2918:2001. A provision has been made at the rear of the pedestal for seismic restraint by bolting through the two holes provided.

Floor protector specs - New Zealand minimum non insulated floor protector only.